



PRELIMINARY PRODUCT ANNOUNCEMENT  
**M185 — Fast-Screening Impactor**

**DESCRIPTION**

MSP has developed a new fast-screening impactor for R&D and QbD applications of inhaler testing. Based on proven Next Generation Impactor (NGI) technology, the new Model 185 Fast Screening Impactor (FSI) is an easy to use, versatile instrument that enables the user to quickly, accurately and reliably determine the fine particle dose (FPD) of MDIs, DPIs and nasal aerosols and sprays. Its main features are:

- **You** decide the flow rate (28.3 L/min to 100 L/min)
- **You** decide the cut you want (4.7, 5.0, 10 micron; or custom)

The FSI uses a two-stage separation process: Large, non-inhalable boluses are impinged into a liquid trap, which is followed by a fine-cut impaction stage. This provides unparalleled accuracy, high capacity, low internal losses and low carry-over. No additional pre-separator is required, even for high-dose products. The FPD is collected within an external filter holder, with quick-release latches for rapid removal of the filter holder for gravimetric or chemical analysis.

The varied cut point and flow rate options are possible thanks to the special, inexpensive inserts that have been designed for the FSI. Inserts are available in any of the cut point and flow rate combinations indicated above, or custom; and additional inserts may be purchased separately at any time.



The table below lists the family of application-specific accessories that are available for the FSI.

**Model 185 FSI Accessories**

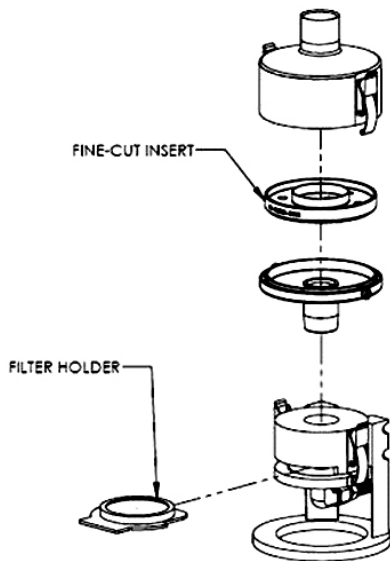
Part Number	Description
<b>Model 185 Fast Screening Impactor (FSI)</b>	
0185-98-0100A-A	Fine Fraction Collector (FFC)
0185-98-0200A-A	FSI Housing
<b>Model 185 FSI Insert Options</b>	
0185-78-03005-X	FSI Insert; 5 Micron Cut at 30 L/min Operation
0185-78-03505-X	FSI Insert; 5 Micron Cut at 35 L/min Operation
0185-78-04005-X	FSI Insert; 5 Micron Cut at 40 L/min Operation
0185-78-04505-X	FSI Insert; 5 Micron Cut at 45 L/min Operation
0185-78-05005-X	FSI Insert; 5 Micron Cut at 50 L/min Operation
0185-78-05505-X	FSI Insert; 5 Micron Cut at 55 L/min Operation
0185-78-06005-X	FSI Insert; 5 Micron Cut at 60 L/min Operation

Part Number	Description
0185-78-06505-X	FSI Insert; 5 Micron Cut at 65 L/min Operation
0185-78-07005-X	FSI Insert; 5 Micron Cut at 70 L/min Operation
0185-78-07505-X	FSI Insert; 5 Micron Cut at 75 L/min Operation
0185-78-08005-X	FSI Insert; 5 Micron Cut at 80 L/min Operation
0185-78-08505-X	FSI Insert; 5 Micron Cut at 85 L/min Operation
0185-78-09005-X	FSI Insert; 5 Micron Cut at 90 L/min Operation
0185-78-09505-X	FSI Insert; 5 Micron Cut at 95 L/min Operation
0185-78-10005-X	FSI Insert; 5 Micron Cut at 100 L/min Operation
0185-78-02847-X	FSI Insert; 4.7 Micron Cut at 28.3 L/min Operation
0185-78-03010-X	FSI Insert; 10 Micron Cut at 30 L/min Operation

Part Number	Description
<b>Model 185 Accessories</b>	
0170-01-5010A-X	Box of 100 Glass Fiber Filters, 75 mm
0170-78-0195A-X	Rinsing Cap for Male Taper of FSI Holder
4510-78-1042A-D	Rinsing Plug for Female Taper of FSI Holder
0171-01-00LTA-X	Model NGI-LT Leak Tester
0001-01-9982A-X	High Capacity Pump Model HCP5, 110V
0001-01-8764A-X	Model DFM2000 Flow Meter
0170-98-0253A-B	Additional Filter Holder Assembly for the FFC
<b>Semi-Automated Sample Recovery Equipment</b>	
4510-01-5000A-X	Rinser for FSI; includes IQ/OQ
<b>Additional Accessories for MDI/DPI Testing</b>	
0170-01-0149A-C	Universal Induction Port (UIP)
0001-01-9999A-X	Mouthpiece Adapter for UIP
0001-01-9997A-X	Tooling Charge for Mouthpiece Adapter

Part Number	Description
0001-01-8060A-X	UIP to Flow Meter Adapter
0170-78-0195A-X	Rinsing Cap for Male Taper of UIP
0170-01-0199A-C	Rinsing Cap for Straight End of UIP
4505-01-5000A-X	Rinser for UIP; includes IQ/OQ
<b>Additional Accessories for Nasal Aerosol and Spray Testing</b>	
0001-01-5217A-A	FSI Adapter for Glass Expansion Chambers, SS
0001-01-5217A-S	FSI Adapter for Glass Expansion Chambers, Al
0001-01-8950A-X	Glass Expansion Chamber, 1000 mL
0001-01-8951A-X	Glass Expansion Chamber, 2000 mL
0001-01-8952A-X	Glass Expansion Chamber, 5000 mL
0001-01-9999A-X	Mouthpiece Adapter for Glass Expansion Chamber
0001-01-9997A-X	Tooling Charge for Mouthpiece Adapter
9999-99-9999A-X	Glass Expansion Chamber to Flow Meter Adapter

## DIAGRAM



## INSERTS



## MSP Corporation

5910 Rice Creek Parkway, Suite 300  
 Shoreview, Minnesota 55126, U. S. A.  
 Phone: 651.287.8100; Fax: 651.287.8140  
[sales@mspcorp.com](mailto:sales@mspcorp.com); [www.mspcorp.com](http://www.mspcorp.com)

Copyright© MSP Corporation (PPA-185, Rev. B). The MSP logo is a registered trademark of MSP Corporation. All rights reserved.